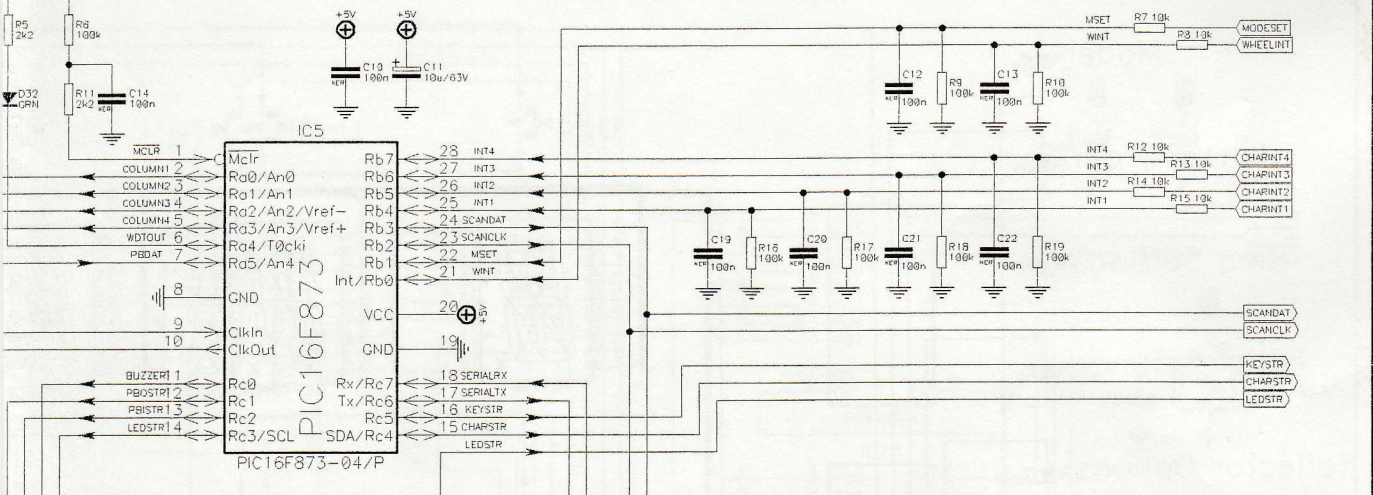
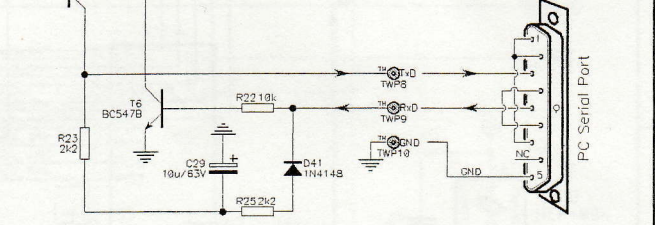


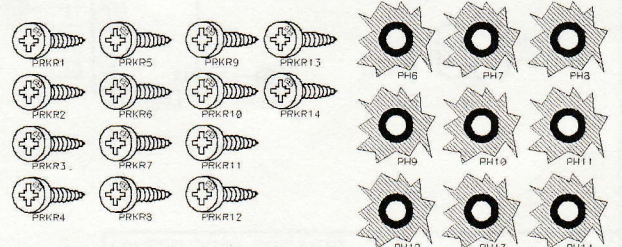
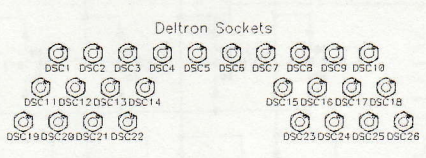
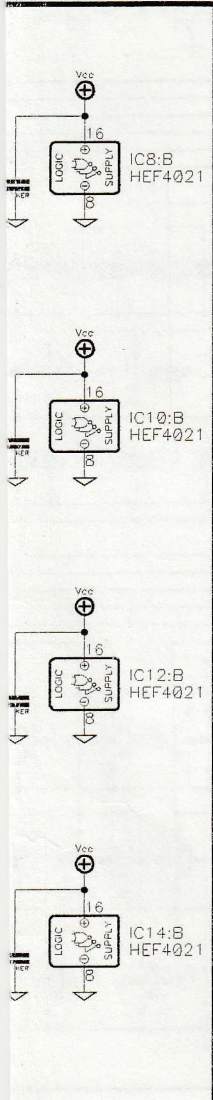
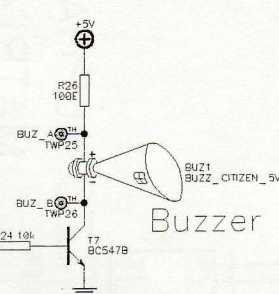
MICROCONTROLLER CIRCUITRY



SERIAL PORT



Buzzer



CONFIDENTIAL DOCUMENT

This document is the private property of YIG Engineering B.V. and contains information of a highly sensitive and confidential nature. It is being divulged to you on the understanding that any improper disclosure will cause irreparable harm, which will be actionable by us against you.

YIG

Title: Enigma-E

Date: January 2003 Rev: 01

Drawn by: Marc Simons

Filename: EnigmaRev01.SCH

Sheet 2 of 2

