

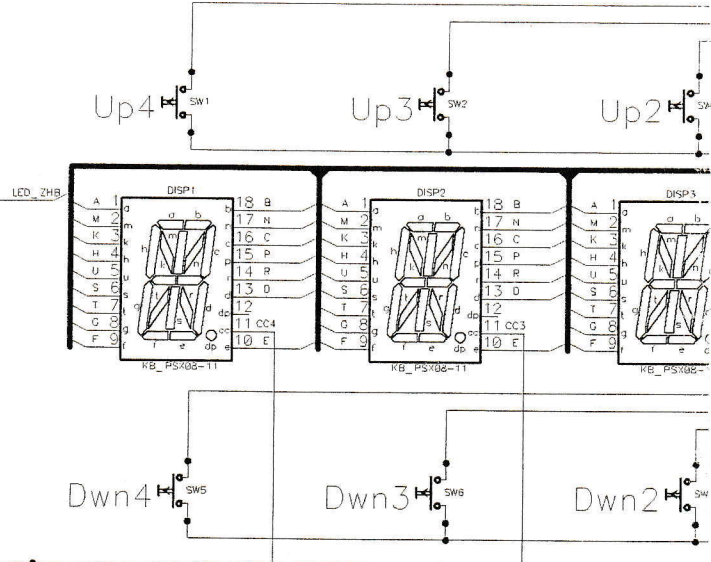
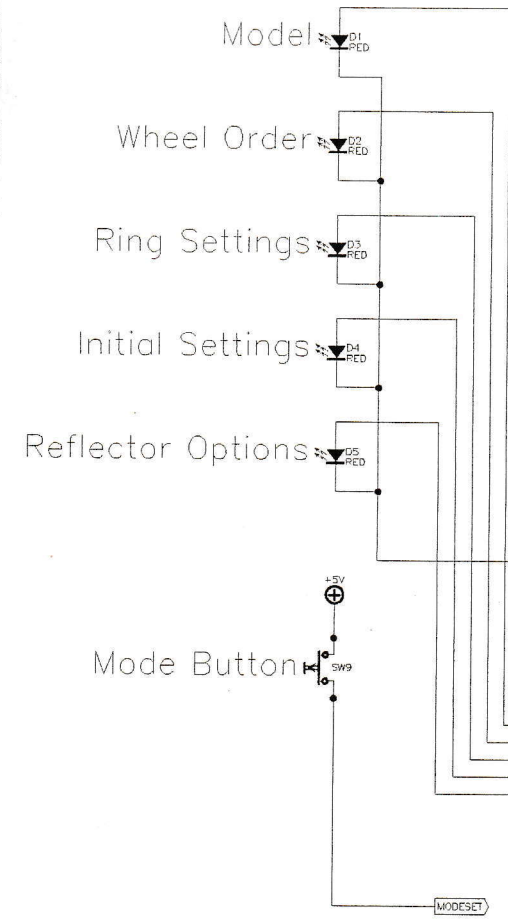


# ENIGMA-E SOLID STATE

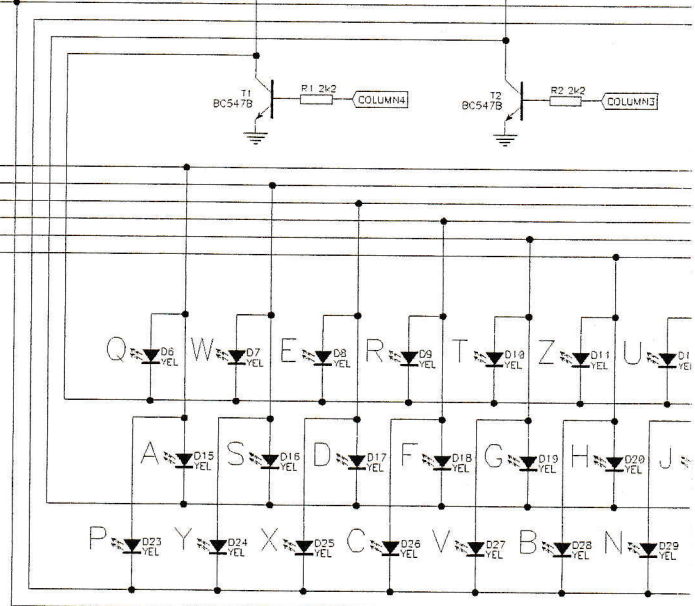
1  
2  
3  
4

A

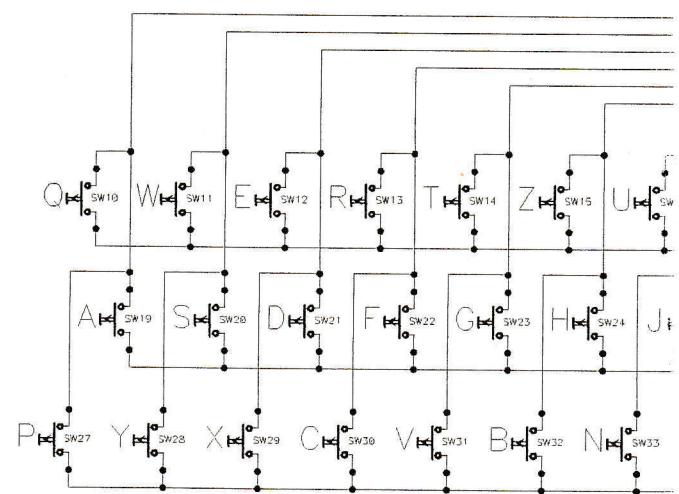
B



## LED ALPHABET MATRIX



## KEY MATRIX



A

B