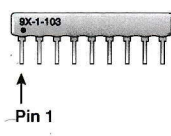
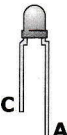

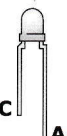
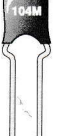
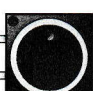
 <p>4116R-1 • 472</p> <p>↑ Pin 1</p>	<p>BOURNS 4116R</p> <p>Octal Resistor Network DIL16 4.7kOhm</p> <p>RNETW1</p>	<p>1</p> <p>✓</p> <p>✓</p>
 <p>9X-1-109</p> <p>↑ Pin 1</p>	<p>BOURNS 4609X</p> <p>Octal Resistor Network SiL9 10kOhm</p> <p>Black dot indicates pin 1</p> <p>RNETW2, RNETW3, RNETW4, RNETW5</p>	<p>4</p> <p>✓</p> <p>✓</p>
 <p>C</p> <p>A</p>	<p>LED_GREEN</p> <p>LED Green Low Current 3mm (Longest wire is the Anode)</p> <p>LED32</p>	<p>1</p> <p>✓</p> <p>✓</p>
 <p>C</p> <p>A</p>	<p>LED_RED</p> <p>LED Red Low Current 3mm (Longest wire is the Anode)</p> <p>LED1, LED2, LED3, LED4, LED5</p>	<p>5</p> <p>✓</p> <p>✓</p>
 <p>C</p> <p>A</p>	<p>LED_YELLOW</p> <p>LED Yellow Low Current 3mm (Longest wire is the Anode)</p> <p>LED6, LED7, LED8, LED9, LED10, LED11, LED12, LED13, LED14, LED15, LED16, LED17, LED18, LED19, LED20, LED21, LED22, LED23, LED24, LED25, LED26, LED27, LED28, LED29, LED30, LED31</p>	<p>26</p> <p>✓</p> <p>✓</p>
 <p>104M</p>	<p>100 nF</p> <p>Multilayer Ceramic Capacitor X7R 100n/63V (Marked as 104M)</p> <p>C2, C3, C4, C5, C7, C8, C9, C10, C11, C12, C13, C15, C16, C18, C19, C20, C21, C22, C23, C25, C26, C27, C28, C30, C31</p>	<p>25</p> <p>✓</p> <p>✓</p>
	<p>Push button</p> <p>Alps pushbutton PCB mount</p> <p>SW1, SW2, SW3, SW4, SW5, SW6, SW7, SW8, SW9, SW10, SW11, SW12, SW13, SW14, SW15, SW16, SW17, SW18, SW19, SW20, SW21, SW22, SW23, SW24, SW25, SW26, SW27, SW28, SW29, SW30, SW31, SW32, SW33, SW34, SW35</p>	<p>35</p> <p>✓</p> <p>✓</p>